

KETEK



AXAS-M

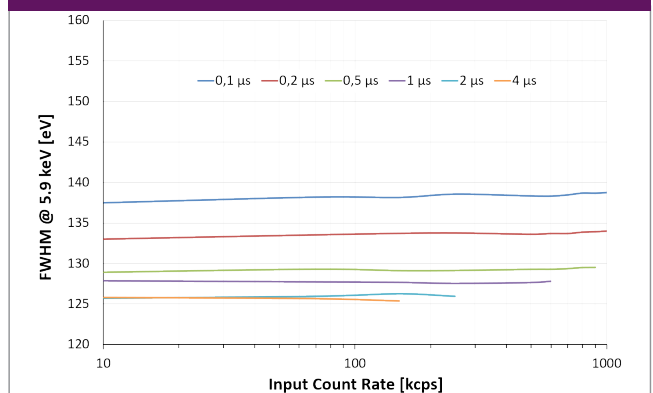
modular

M
AXAS

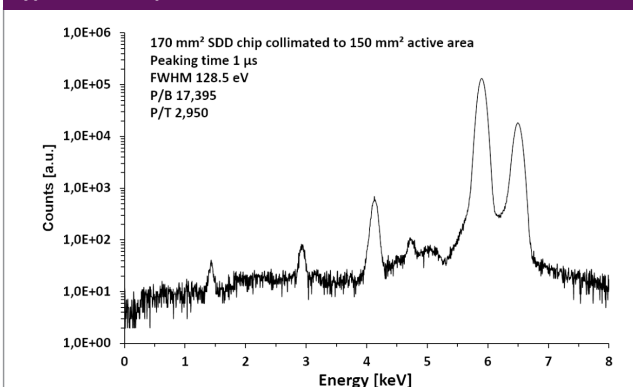
Analytical X-ray Acquisition System - Modular

- Complete analog or digital acquisition system
- Modular housing with vacuum compatibility
- Available with VITUS H80-CUBE and VITUS H150-CUBE
- KETEK reset-type-preamplifier
- Highly integrated design with precisely regulated power supplies for TEC and SDD
- Including KETEK Digital Pulse Processor with high-speed USB 2.0 interface (digital version only)
- Windows data acquisition software including DLL available

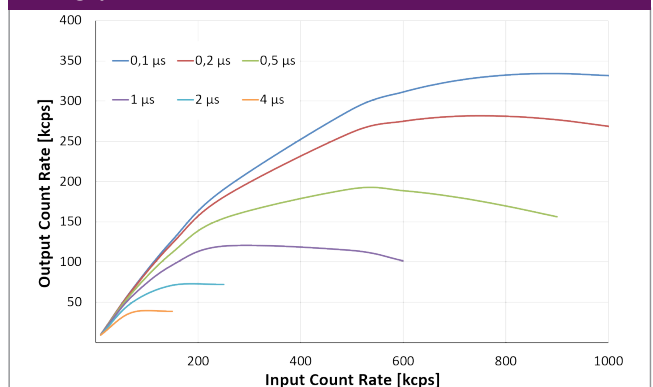
FWHM vs. ICR for AXAS-M with H80-CUBE at -35 °C



Typical Fe-55 spectrum of VITUS H150-CUBE in AXAS-M



Throughput for AXAS-M with H80-CUBE



KETEK GmbH

Hofer Str. 3
81737 Munich, Germany

www.ketek.net
info@ketek.net

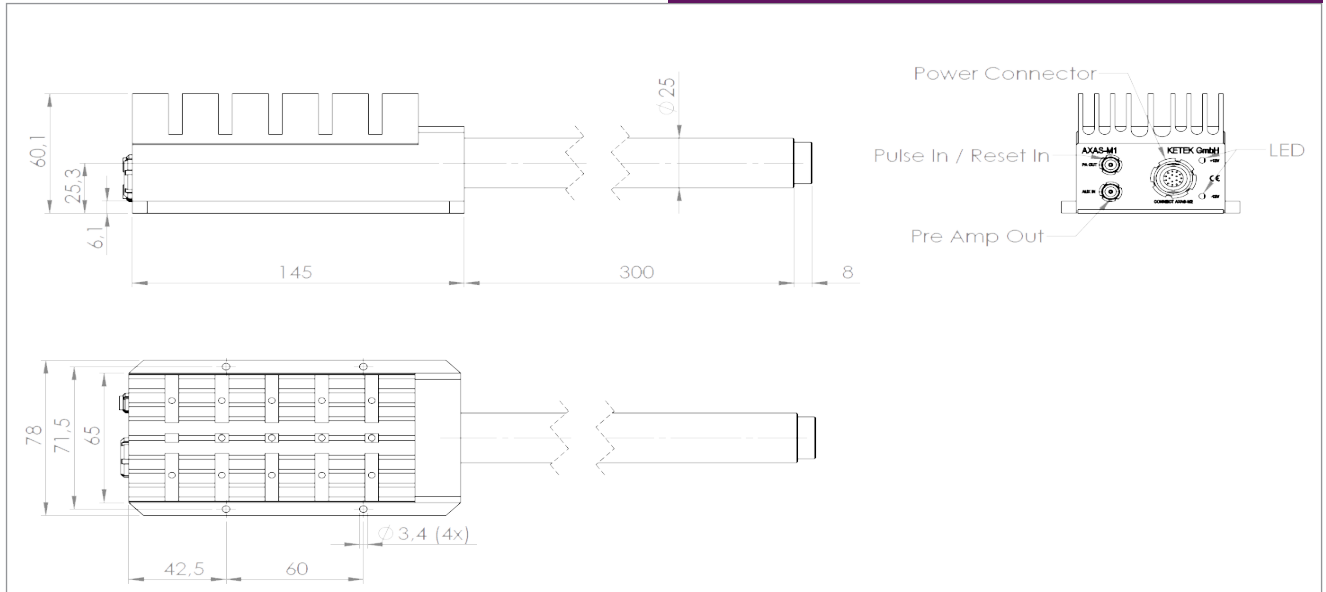
phone +49 89 673 467 70
fax +49 89 673 467 77

Rev. 2017-09



AXAS-M1 housing geometry in mm

M1
AXAS

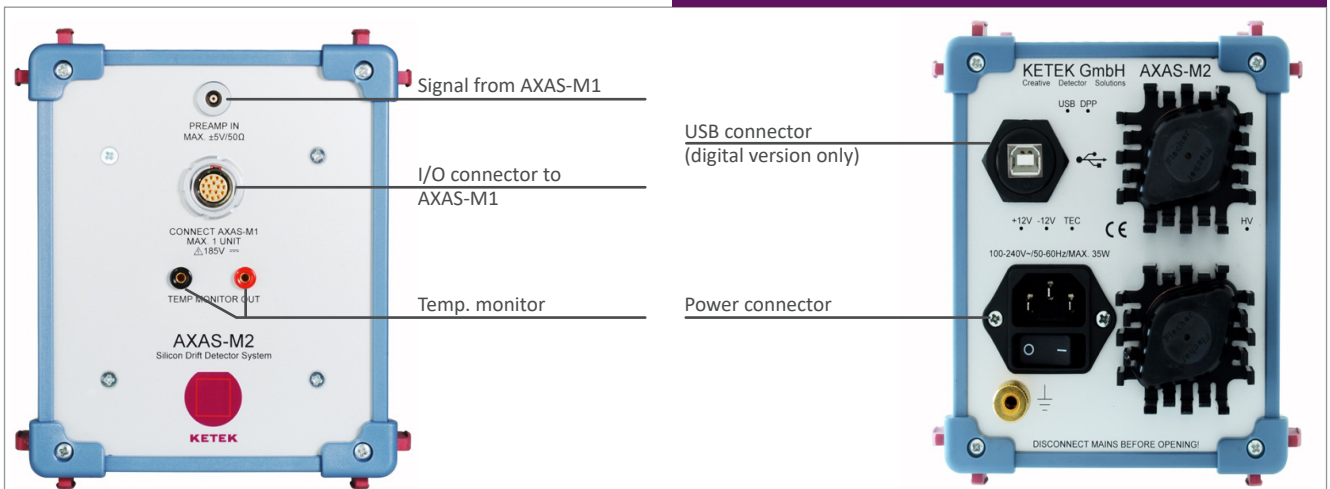


AXAS-M options

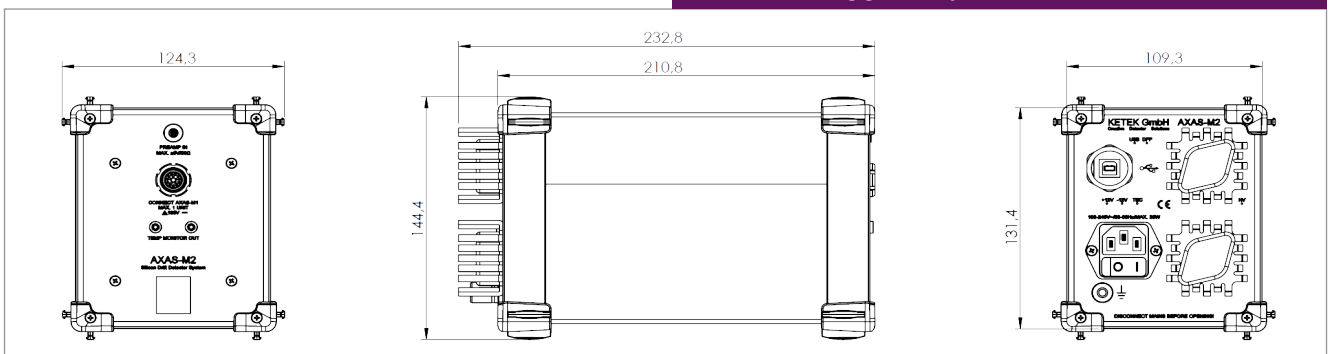
Signal output	Low noise preamplifier	VITUS SDD	H80-CUBE and H150-CUBE
Signal form	Ramped reset type +1 V to -2 V; 5 mV/keV	Finger length [mm]	Std.: 100 mm - 50, 160 and 200. Others on request.
Output connector	LEMO FFS.00.250	Vacuum tightness	Optional; He leakage rate < 10 ⁻⁶ mbar l/s
DPP2 with USB 2.0	Optional; Windows acquisition software available	Power supply	220/110 VAC

M2
AXAS

AXAS-M2 connectors



AXAS-M2 housing geometry in mm



KETEK GmbH

Hofer Str. 3
81737 Munich, Germany

www.ketek.net
info@ketek.net

phone +49 89 673 467 70
fax +49 89 673 467 77

Rev. 2017-09

