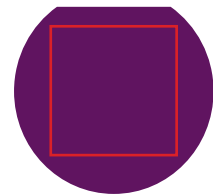


NEW



KETEK



VA560

560 mm² 7-Channel
SDD Array

Version with
300 mm finger

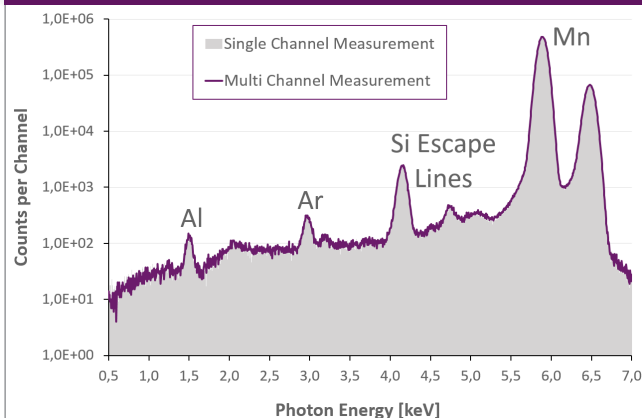
VA560

Large Area 7-Channel Silicon Drift Detector Array

Complete XRF multi-channel system including 7 fast CUBE SDDs, ultra-low-noise preamplifiers, 7 high performance digital pulse processors with USB2.0 interface, external control unit with all power supplies and cooling station.

- $7 \times 80 \text{ mm}^2 = 560 \text{ mm}^2$ active collimated area
- **FWHM < 139 eV @ 1 μs peaking time** for Mn K α -line (typ. < 132 eV)
- Optimized for **high input count rates up to 1 Mcps** per channel and short peaking times down to 0.1 μs
- **Up to 7 Mcps detection rate** of the full system
- X-ray detection energy range from **1.5 keV to > 30 keV**

Spectra of the single and all seven channels



View on the SDD array head (cap removed)



SDD Modules and Detector Head

- New slim-line SDD modules with fast CUBE ASIC readout
- Detector thickness: 450 μm
- Each SDD equipped with an individual multilayer collimator (no spectral contamination)

Radiation Entrance Window

- Large entrance window (45 mm diameter) made of 7.5 μm polyimide with 200 nm Al coating
- Ceramics support grid for minimal spectral contamination
- Transmittance comparable to 25 μm thick Beryllium window

KETEK GmbH

Hofer Str. 3
81737 Munich, Germany

www.ketek.net
info@ketek.net

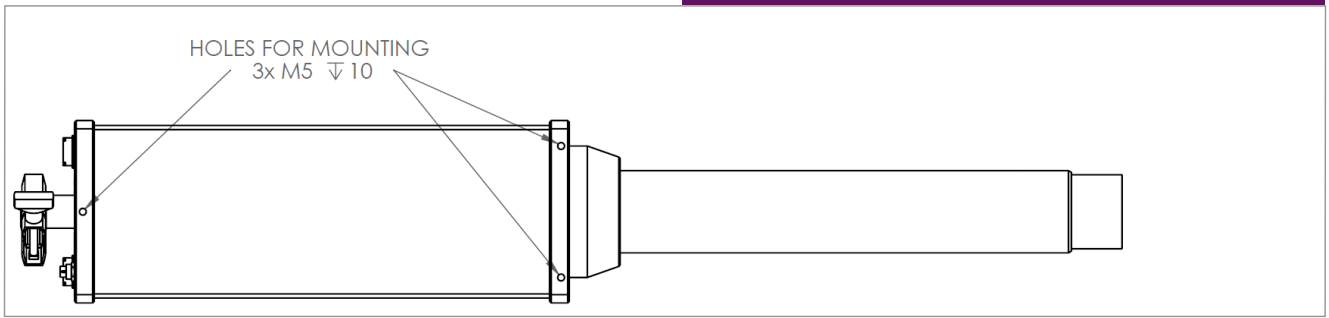
phone +49 89 673 467 70
fax +49 89 673 467 77

Rev. 2017-04

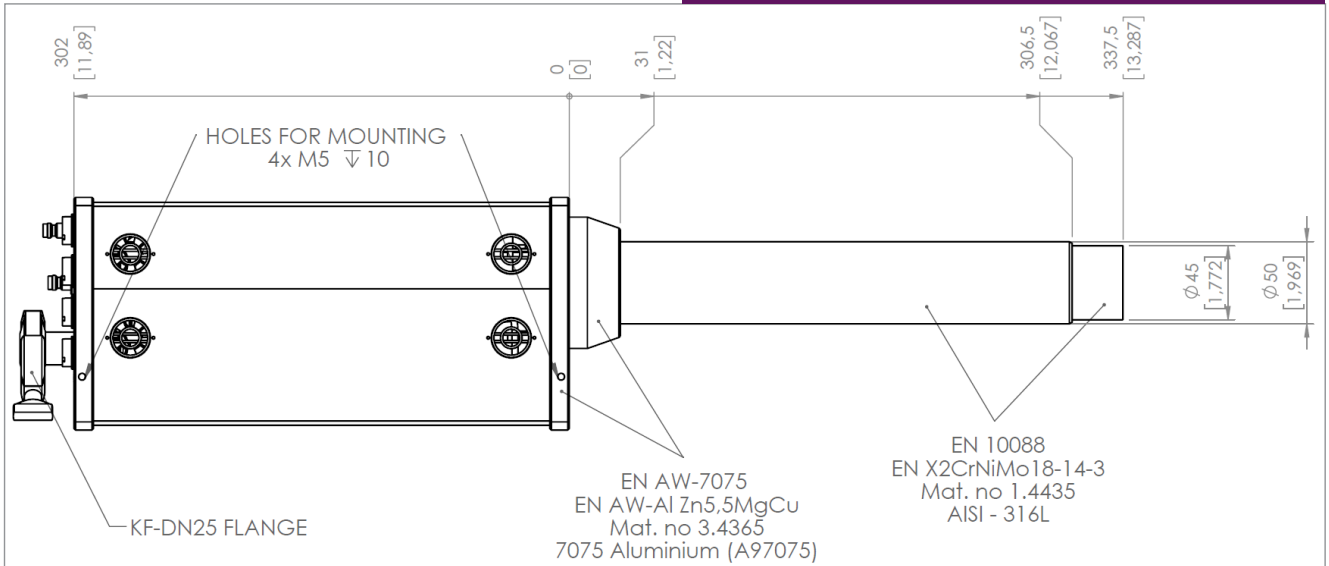


VA560

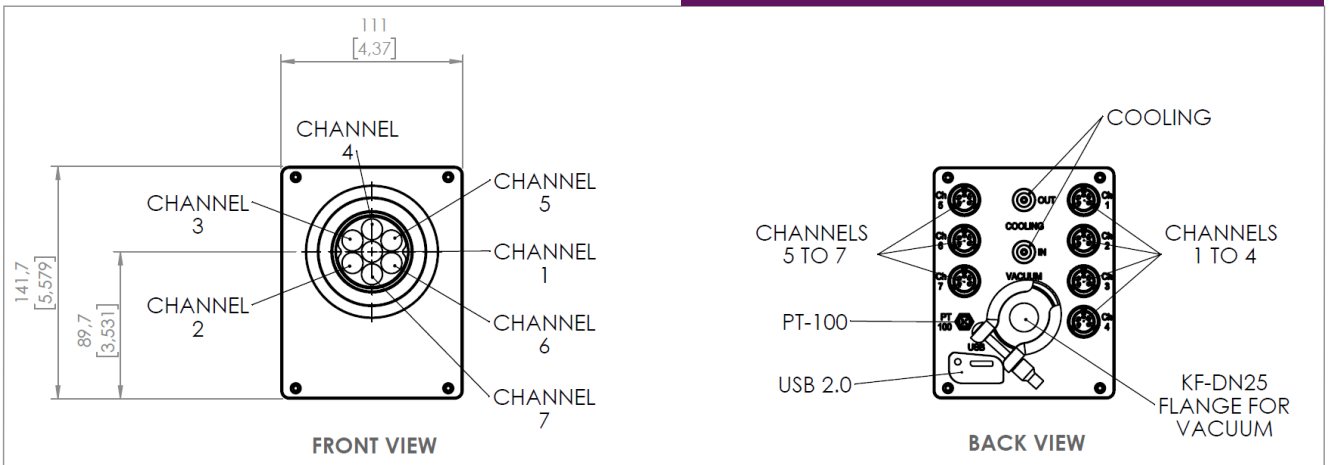
VA560 bottom view



VA560 side view



VA560 front and back view



VA560 end cap

